

gemini
ITALY

**ULTRASONIC
AROMA DIFFUSER
超聲波香薰噴霧機**

MODEL NO.: GUH7F



A GILMAN GROUP BRAND

Please read and retain for future reference.

SAFETY INSTRUCTION - GENERAL

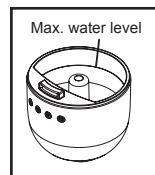
- Use this appliance solely in accordance with these instructions.
- This appliance is for household personal use only, not for commercial purpose.
- Remove all packaging material from the appliance before use.
- This appliance shall not be used by children of 0 to 8-year old.
- This appliance can be used by children older than 8-year old and persons with reduced physical, sensory or mental capabilities or lack of experience and knowledge, but only if they have been given supervision or instruction concerning use of the appliance in safe way and understand the hazards involved.
- Children should be supervised to ensure that they do not play with the appliance.
- Cleaning and maintenance must not be done by children.
- Have any repairs carried out solely by a qualified electrician. Never try to repair the appliance yourself.
- Do not handle the plug or appliance with wet hands.
- Do not immerse the main body in water.
- Children shall not play with the appliance.
- Only use the attachments/accessories supplied with the product.

SAFETY INSTRUCTION - ELECTRICITY AND HEAT

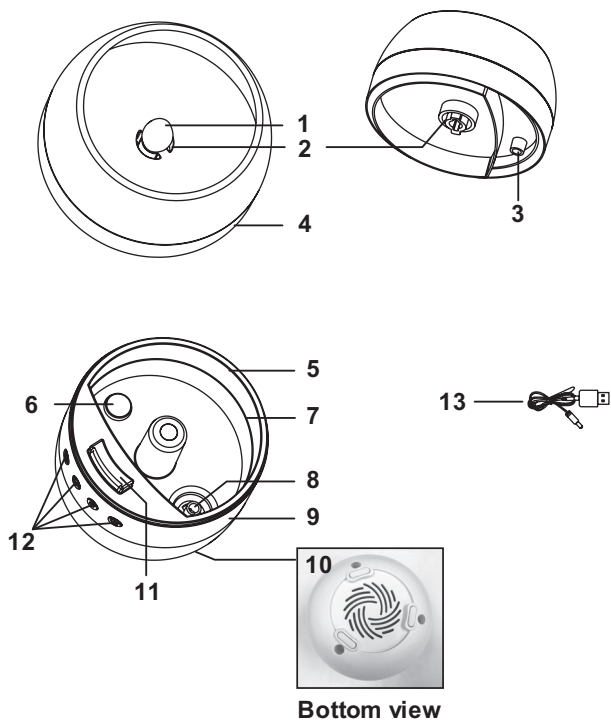
- Ensure the appliance is in placed on a horizontal, even and stable surface.
- Verify that the mains voltage is the same as that indicated on the rating plate on the appliance before use.
- Make sure that the appliance, the power cord and plug do not make contact with water.
- Make sure that the appliance, the USB power cord do not make contact with hot surface, such as a hot hob or naked flame.
- Check the appliance's USB power cord regularly to make sure it is not damaged.
- Do not use the appliance if the USB power cord is damaged. If the power cord is damaged, it must be replaced by an electrical technician or a person with similar qualification, in order to avoid any hazards.

SAFETY INSTRUCTION - DURING OPERATION

- When the water runs out, the mist will auto-off and the appliance will automatically protected with flashing lighting. Turn on the appliance again after adding adequate water.
- When removing the top cover, the mist operation will turn off as well as the lighting, Close the cover the mist will continue to work.
- DO NOT operate the appliance without water.
- Use only clean water at room temperature to fill the water tank. (DO NOT exceed the max. water level and higher than min. level around 30 ml)
- This appliance has mist during working, please keep away from the electric appliance such as computer, TV and everything that afraid of moisture and water.
- Do not move the appliance while its switched on.
- Clean the appliance thoroughly after use (please refer to “Cleaning and Maintenance” section.)
- Attention: Do not shake, move, add or pour water when the appliance is working.

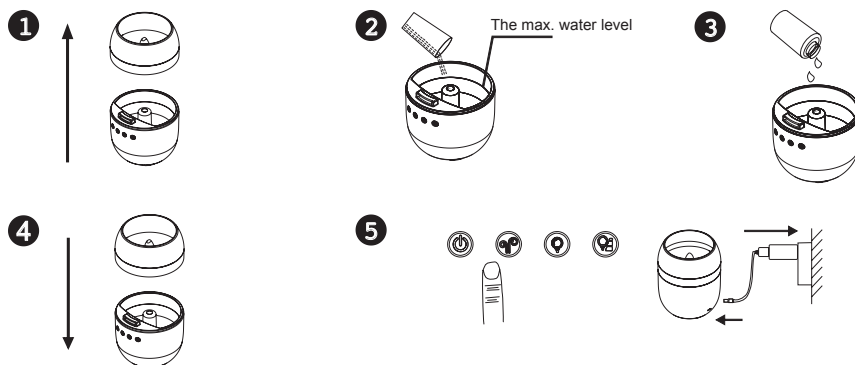


PRODUCT OVERVIEW



1. Mist outlet
2. Lighting cover
3. Magnetic induction switch
4. Top cover
5. Water tank
6. Water level sensor
7. Max water level
8. Mist chip
9. Base
10. Air inlet
11. Air outlet
12. Buttons
13. USB power cord





OPERATING INSTRUCTION



- Open and take the top cover.
- Pour enough water into water tank. (do not exceed the max. water level and higher than min. level around 30ml)
- Add few drops water-solubility aroma essential oils to water.
- Close the top cover and make sure there is no dislocation.
- Connect the power source 5V \geq 900mA (0.9A) to the appliance with the provided USB cable and press the button for operation.

NOTE

- DO NOT operate the machine on a soft desktop or it will block the air inlet at the bottom.
- When installing the top cover, make sure it is in correct position.
- When no water, the mist will auto-off and the appliance will automatically protected with flashing lighting. Turn on the appliance again after adding adequate water.

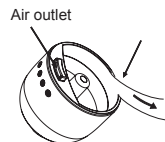
Button	Press	Instruction
Power on/off button 	1st	Turn on the warm light and mist function
	2nd	Turn off
Mist button 	1st	Turn off the mist
	2nd	Turn on the mist
Lighting on/ off button 	1st	Lighting off
	2nd	Lighting on
Lighting Mode button 	1st	Soft light
	2nd	Warm light
	3rd	Bright light

TROUBLESHOOTING

PROBLEM	CAUSE	SOLUTION
The appliance does not work	The appliance is not connected the power supply	Put the USB power cord and connect to the power supply
	Water below operating level or too much water in water tank	Pour enough water into water tank. (DO NOT exceed the max. water level and higher than min. level around 30 ml)
No Mist	Water below operating level or too much water in water tank	Pour enough water into water tank. (DO NOT exceed the max. water level around 30 ml)
	Mist chip is dirty	Use cotton swab to clean the mist chip
	The top cover and the base is dislocation	When installing the top cover, make sure it is in correct position

CLEANING AND MAINTENANCE

- Please unplug power cord before cleaning the appliance.
- Before take out the power cord please turn off the appliance, it is prohibited to put appliance into water for cleaning.
- After use, remove the top cover to pour out the remaining water in the water tank, otherwise it will easily cause malfunctions and grow bacteria.
- DO NOT pour water from the air outlet direction.
- Always unplug the power cord when the appliance is not in use for a long time.
- Clean the appliance. Use a piece of soft wet cloth or cotton swab to wipe the water tank and housing.



PRODUCT SPECIFICATIONS

Product model no.: GUH7F
 Adaptor input: DC 5V 900mA (0.9A)
 Max. Output power: 7W
 Product dimensions: 105(Diameter) x 132(H) mm

* The final product specification may be varied according to a different lot of material and actual input voltage power of the usage area.

閱讀下列說明事項並請妥善保管，以供日後參考。

安全指引 - 一般安全

- 請按照這些說明事項，使用本產品。
- 本產品僅供家用，不作商業用途。
- 使用前，請將所有包裝材料拆除。
- 0至8歲的兒童不應使用本產品。
- 超過8歲的兒童可使用本產品，但請勿由肢體不健全、感覺或精神上有障礙或缺乏相關經驗和知識的人使用，除非有負責他們安全的人對他們使用本產品進行監督或指導。
- 請務必看顧好兒童，以確保他們不玩耍本產品。
- 兒童不應清潔或維修本產品。
- 當需進行任何維修，必須由專業維修人員進行維修。永遠不要嘗試自己修理本產品。
- 手濕時不可以接觸電源插頭或本機。
- 主機不可以浸入水中。
- 兒童不可以把玩本機。
- 只使用隨機附送的配件。

安全指引 - 電子和熱能產品

- 請把本產品放置在平穩的表面上使用。
- 使用相符的電源和電壓，以防止觸電。
- 確保本產品、USB 電源線不與水接觸。
- 確保本產品、USB 電源線不接觸發熱表面，如明火。
- 定期檢查本產品的電源線以確保其沒有損壞。如果電源線損壞，請勿使用其產品，並須由專業維修人員來更換，以避免出現任何危險。

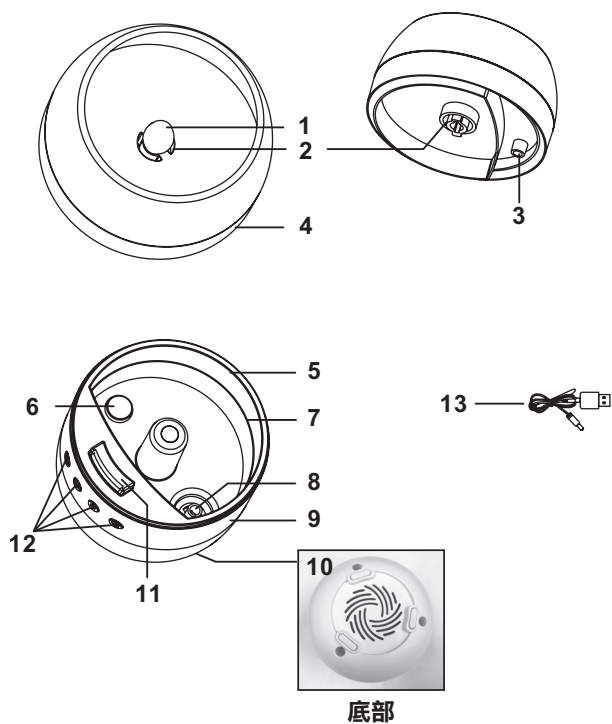
安全指引 - 操作期間

- 缺水保護：當產品缺水時，產品內部會啟動自動保護裝置，霧化功能將停止，燈光不停閃爍；加入適量的水，按下開/關電源鍵，即可重新啟動霧化功能。
- 當取下頂蓋時，霧化功能會停止工作，燈光關閉；當裝上頂蓋時，霧化功能繼續工作，燈光亮起。
- 請勿在沒有水的情況下操作本產品。
- 只倒入乾淨的室溫水到水箱中。(請勿超過最高水位線，需高於最低水位線約30ml)
- 本產品工作中會產生水霧，請遠離電器，例如電腦，電視或其他怕潮濕和水的電器。
- 本產品開啟時，請勿移動本機。
- 使用後，清潔本機（請參閱“清潔和保養”部分。）



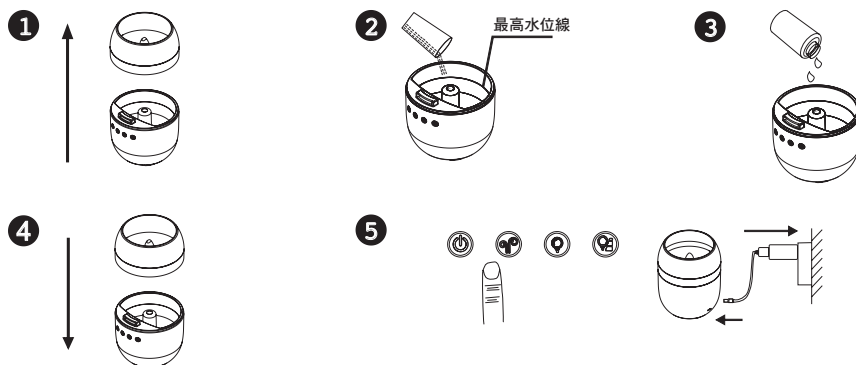
注意：本產品工作期間，請勿搖晃及移動產品，也不要嘗試倒水或加水。

部件示意圖



1. 出霧口
2. 燈光罩
3. 電磁感應開關
4. 頂蓋
5. 水箱
6. 水位感應器
7. 最高水位線
8. 霧化片
9. 底座
10. 進氣口
11. 出風口
12. 按鍵
13. USB電源線

使用說明



- 打開並取下頂蓋。
- 將足夠的水倒入水箱中。(請勿超過最高水位及需高於最低水位線約30ml)。
- 在水中加幾滴水溶性香薰油。
- 蓋上頂蓋，確保安裝到位。
- 將附機的USB 電源輸出插頭插到本機上，再將USB 插到 5V ≥ 900mA (0.9A) 電源位置，然後按按鍵進行操作。

注意

- 請勿在軟桌面上操作機器，否則會阻塞本產品在底部的進氣口。
- 裝上頂蓋時，確保把頂蓋和機身安裝到位。
- 當產品缺水時，霧化功能將停止，燈光不停閃爍；加入適量的水，按下開/關電源鍵，即可重新啟動霧化功能。

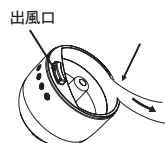
按鍵	按壓	說明
電源開/關鍵	第一次	開啟暖光模式及霧化功能
	第二次	關機
霧化鍵	第一次	關閉霧化功能
	第二次	開啟霧化功能
燈光開/關鍵	第一次	關閉燈光
	第二次	開啟燈光
燈光模式鍵	第一次	柔和模式
	第二次	暖光模式
	第三次	明亮模式

疑難排除

問題	原因	解決方法
產品不工作	產品沒有接通電源	將USB 電源線接通電源
	水箱內的水量低於操作水位或水量過多	在水箱中加入適量的水(請勿超過最高水位線及需高於最低水位線約30ml)
產品沒有噴霧或噴霧異常	水箱內的水量低於操作水位或水量過多	在水箱中加入適量的水(請勿超過最高水位線及需高於最低水位線約30ml)
	霧化片有污物	用棉花棒清潔霧化片
	頂蓋和機身安裝不到位	裝上頂蓋時, 確保把頂蓋和機身安裝到位

清潔和保養

- 在進行清潔和保養時, 請先將電源線插頭拔掉。
- 在拔插頭前必須先關機, 請勿將本產品放入水中清洗。
- 使用後, 取下頂蓋, 將水箱內剩下的水倒乾淨, 否則本產品容易產生故障, 同時容易滋生細菌。
- 請勿從出風口方向倒水。
- 在長時不使用本產品時, 請務必拔下插頭。
- 在清潔本產品。可用一塊濕軟布或棉花棒擦拭水箱裡面及外殼。



產品規格

產品型號：GUH7F

火牛輸入：DC 5V 900mA (0.9A)

最大熱量輸出：7瓦

產品尺寸：105(直徑) x 132(高)毫米

* 相關產品的規格, 可能會因配件批次或實際使用地區的電壓差異而有所不同。

請記錄下列產品資料

- 型號

- 機身編號

- 經銷商名稱

- 購買日期

本產品不斷改進中，如功能有所更改，恕不另行通知，如有疑問，請與客戶服務中心聯絡，不便之處，敬請原諒。

說明書內容以英文版本為準

ToolBox Customer Service Centre 客戶服務中心：
4/F, DCH Building, 20 Kai Cheung Road, Kowloon Bay, Hong Kong
香港九龍灣啓祥道20號大昌行集團大廈4樓

Customer Service Hotline 客戶服務熱線：(852) 8210 8210
Service E-mail 電郵地址：8210service@gilman-group.com
Please register now at 請即上網登記：www.toolbox.hk
Website 網址：www.gilman-group.com



Proudly Serviced by:



太平家庭電器